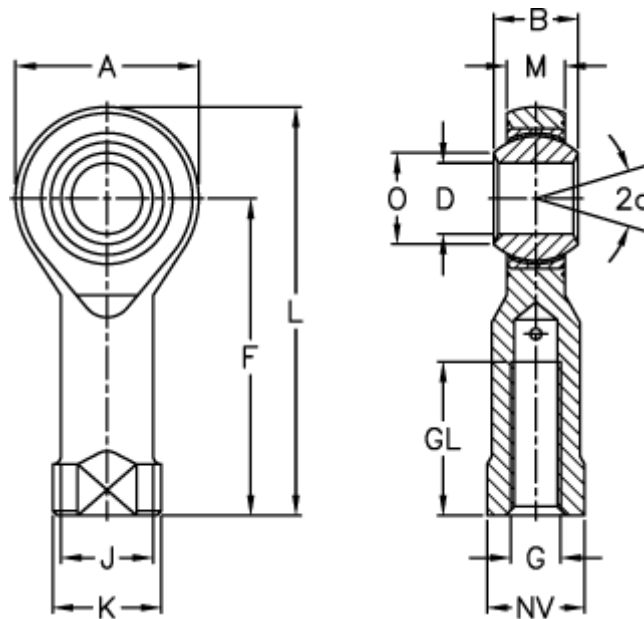


Article number: 54301612

Description: LDK Rod end PHS 12ECL  
Threaded left

## Measures



A	= 30	J	= 17.5
a (degrees)	= 13	K	= 22
B	= 16	L	= 65
D	= 12	M	= 12.00
Dynamic load C (kN)	= 13.5	NV	= 19
F	= 50	O	= 15.4
g	= M12	Static load C0 (kN)	= 25.6
GL	= 24	Weight (g)	= 107